

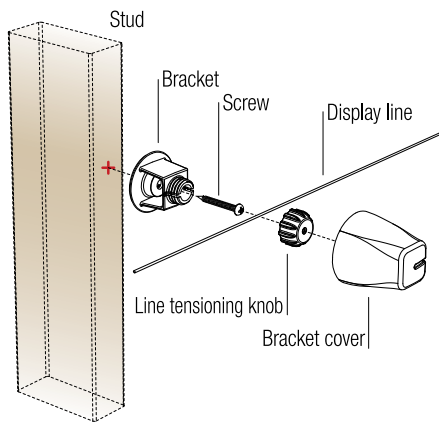
# ART SHOW

## Installation Instructions

4 Installation Options- Wood, Drywall, Glass, Any Surface

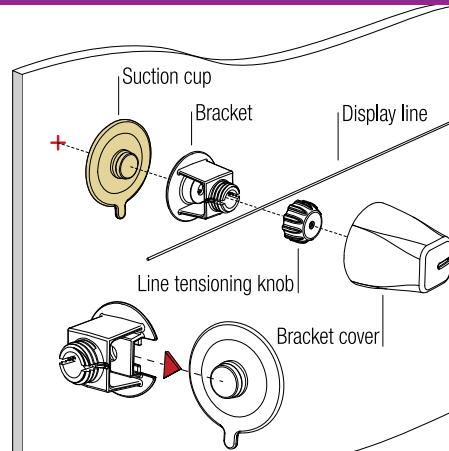
1. Choose a location for the display up to 11 feet across.
2. Fasten brackets to wall.
3. Put line through slot in one bracket and tighten the tensioning knob.
4. Slide the ten art clips on to the line.
5. Put other end of line through slot on other bracket and pull line snug, tighten the tensioning knob. As a safety feature, line is designed to break if over-stretched or over loaded.
6. Trim line ends with scissors.
7. Snap bracket cover over wall mount bracket.

### Option 1 / Wood



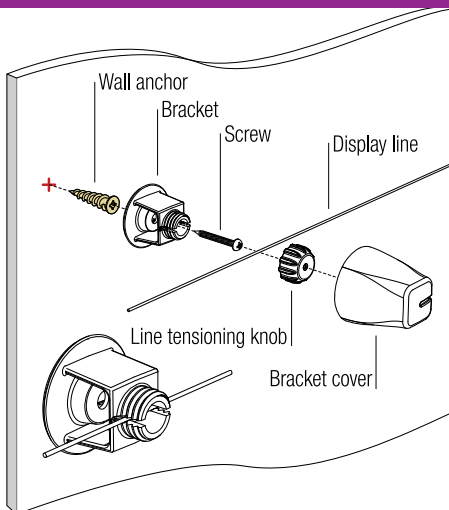
Direct to wall stud

### Option 3 / Glass



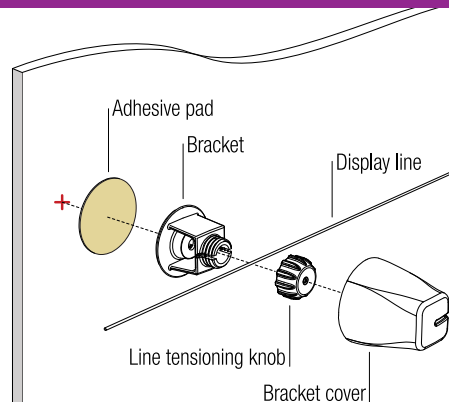
Suction cup to use on glass, sealed wood or other smooth surface

### Option 2 / Drywall



Use anchor to install into drywall only

### Option 4 / Any Surface



Stick to wall with adhesive pads (difficult removal, may harm paint)

**WARNING** CHOKING HAZARD - Small Parts.  
Not for children under 3 years. Keep out of reach of infants,  
and small children.